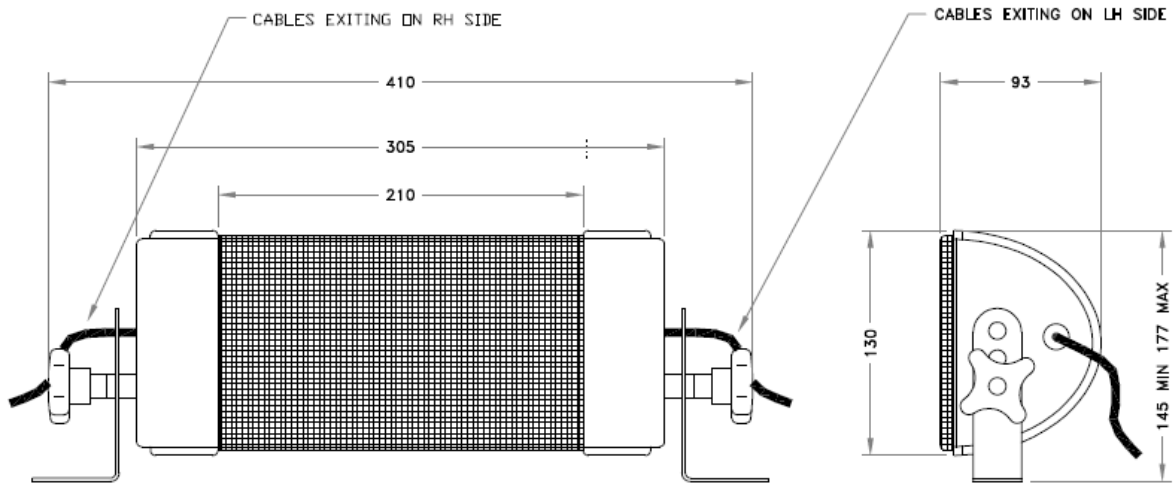


24V 800W / 1000W Demister Technical Specification



PART NOs	800W	1000W
RH CABLE EXIT	HA1088R	HA1132R
LH CABLE EXIT	HA1088L	HA1132L

Part No	Heat output	Current (Startup)	Current (Running)	Airflow m3/hr	Outlet Air temp
HA1088R HA1088L	800W	45A	31A	60	40°C
HA1132R HA1132L	1000W	60A	40A	60	50°C

Ratings are based on a supply voltage of 26V, and ambient air temperature of 0°C